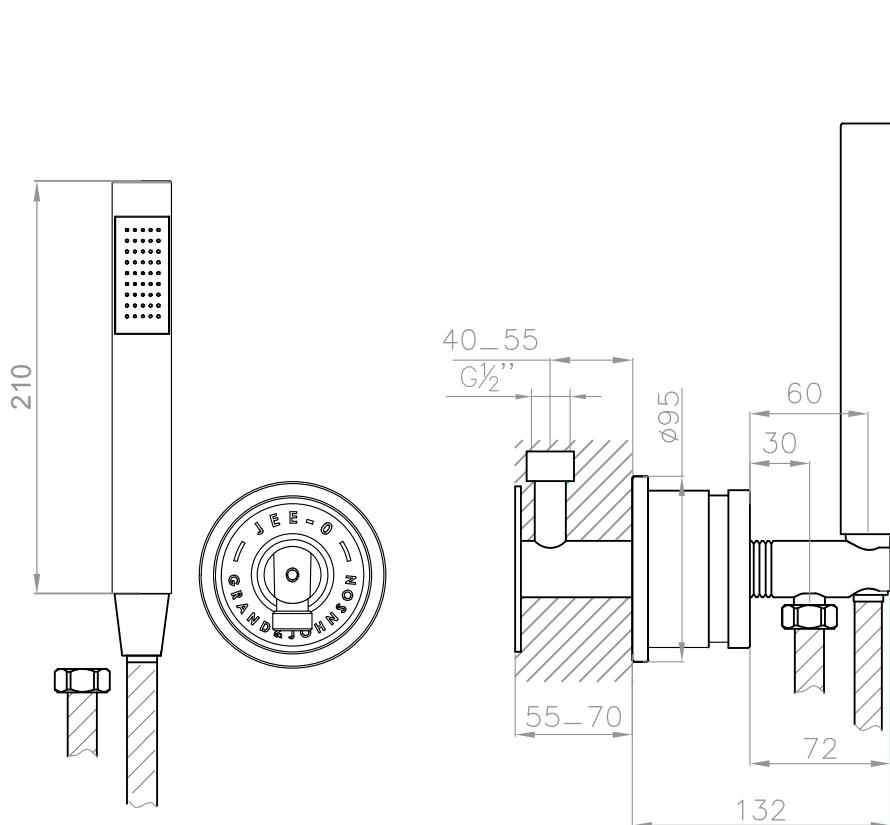




JEE-O soho wall hand shower specifications



Note:
UV radiation and extreme temperature
can affect the color and structure of the
JEE-O soho wall hand shower surface.

Article code:

700-6910

● Brushed stainless steel - **RAW**

700-6912

● Hammercoated black matt

700-6918 green RAL 6003

● Powder coating matt

700-6919 grey RAL 7040

● Powder coating matt

Material:

Stainless Steel r304

Coating:

hammercoat black (1.5) Electro powder spray

Flexhose:

150 cm length

Cleaning:

cleaning vinegar or alcohol

Connection:

Thread:

G 1/2" (ø15mm / 0.6")
British Standard Pipe (BSP)

Dimension package:

Total weight:

Package weight:

L 48 x W 20 x H 14 cm
2.8 kg
0.3 kg

2 year warranty

HS code:

84818011