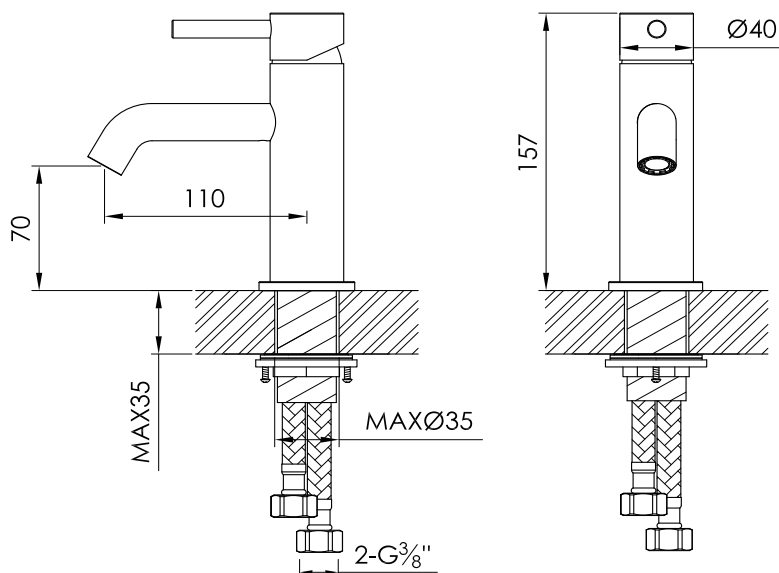




JEE-O slimline basin mixer low specifications



Note:
UV radiation and extreme temperature can affect the color and structure of the surface of the structured black version.

Article code:

800-1700

● brushed stainless steel

800-1703

● structured black stainless steel

800-1704

● bronze stainless steel

Material:

Stainless Steel r304

Cartridge:

Sedal ceramic mixing mechanism (35mm),
item code **005-0101**

Cleaning:

JEE-O protect

Flow at water of 38°C / 100,4°F:

9l / 2,4gal p/m at 3bar pressure

Connection:

2 x G 3/8" (ø10mm / 0.4")
nylon^(out)/epdm⁽ⁱⁿ⁾ flexhose
with brass swivel
British Standard Pipe (BSP)

Thread:

Dimension package:

L 31 x W 22.5 x H 8 cm

Total weight:

1.37 kg

Package weight:

0.29 kg

2 year warranty

HS code:

84818011900

Approvals:

SLS BS EN 817