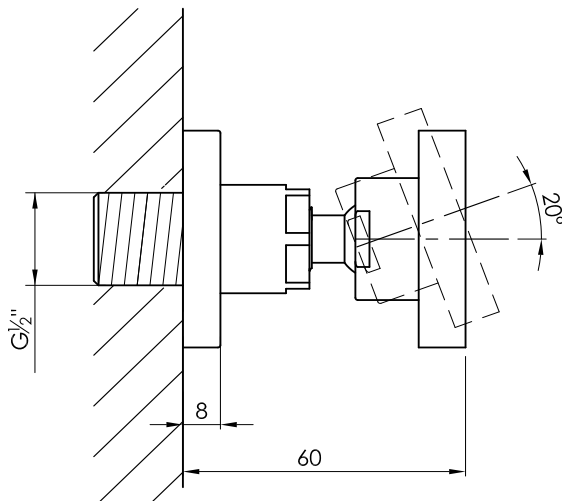




JEE-O slimline body jet specifications



Note:
UV radiation and extreme temperature
can affect the color and structure of the
surface of the structured black version.

Article code:

801-6910

● brushed stainless steel

801-6913

● structured black stainless steel

Material:

Stainless Steel r304

Cleaning:

JEE-O protect

Flow at water of 38°C / 100,4°F: 10l / 2.7gal p/m at 3bar pressure

Connection:

Thread:

G 1/2" (ø15mm / 0.6")
British Standard Pipe (BSP)

Dimension package:

Total weight:

Package weight:

L 7 x W 7 x H 10 cm
0.28 kg
0,03 kg

2 year warranty

HS code:

84818011900