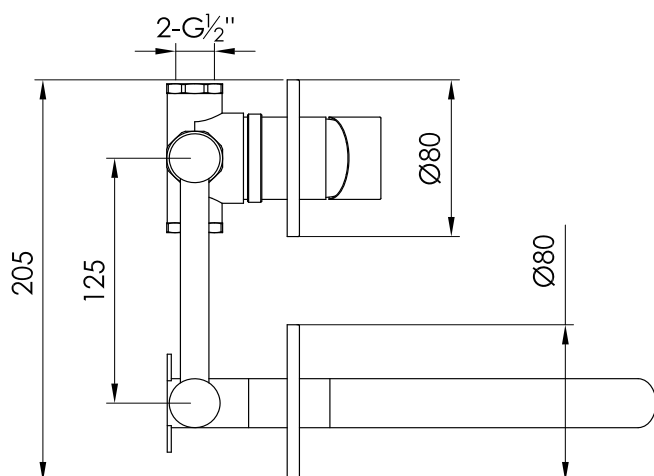
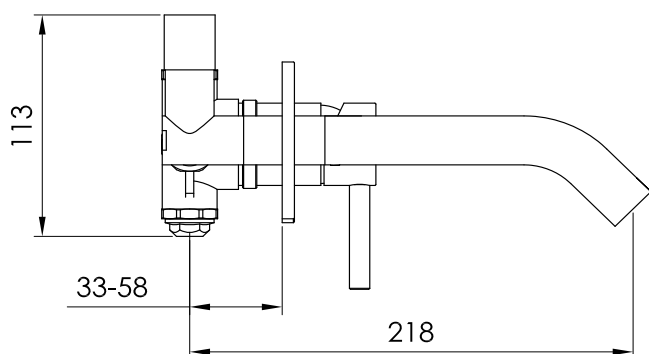




JEE-O slimline wall basin mixer specifications



Note:
UV radiation and extreme temperature
can affect the color and structure of the
surface of the structured black version.

Article code:

800-1500

● brushed stainless steel

800-1503

● structured black stainless steel

800-1504

● bronze stainless steel

Material:

Stainless Steel r304

Cartridge:

Sedal ceramic mixing mechanism (35mm),
item code **005-0101**
JEE-O protect

Cleaning:

Flow at water of 38°C / 100,4°F:

10l / 2.7gal p/m at 3bar pressure

Connection:

Thread:

2 x G 1/2" (ø15mm / 0.6")
British Standard Pipe (BSP)

Dimension package:

Total weight:
Package weight:

L 26 x W 27 x H 17cm
2.2 kg
0.82 kg

2 year warranty

HS code:

84818011900

Approvals:

SLS BS EN 817