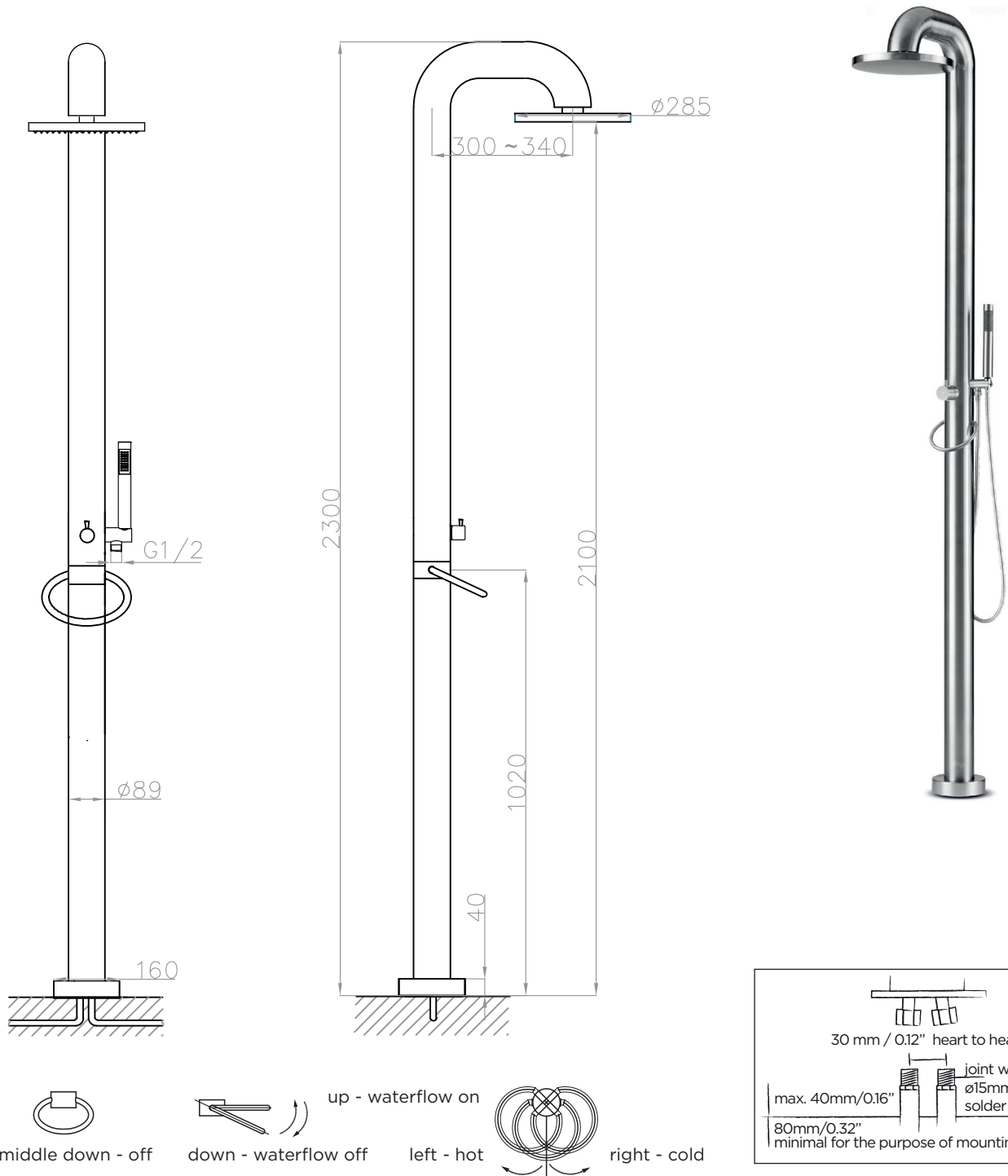




# JEE-O fatline shower 02 specifications



Article code:

**200-6210**

● brushed stainless steel

**200-6211**

● polished stainless steel

Material:

Stainless Steel r304

Cartridges:

Sedal ceramic mixing mechanism (40mm), item code **005-0102** and JEE-O ceramic diverter mechanism, item code **005-0302**  
JEE-O protect

Cleaning:

Flow at water of 38°C / 100,4°F:

12L p/m at 3bar pressure

Flexhose:

150 cm length

Connection:

2 x G 1/2" (ø15mm / 0.6")  
nylon<sup>(out)</sup>/epdm<sup>(in)</sup> flexhose  
with brass swivel  
British Standard Pipe (BSP)

Thread:

Dimension package:

Total weight:

Package weight:

Placing on a water-tight floor

2 year warranty

HS code:

84818011900

Approvals:

