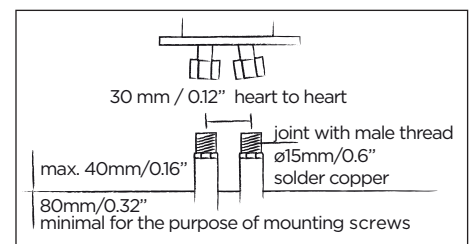
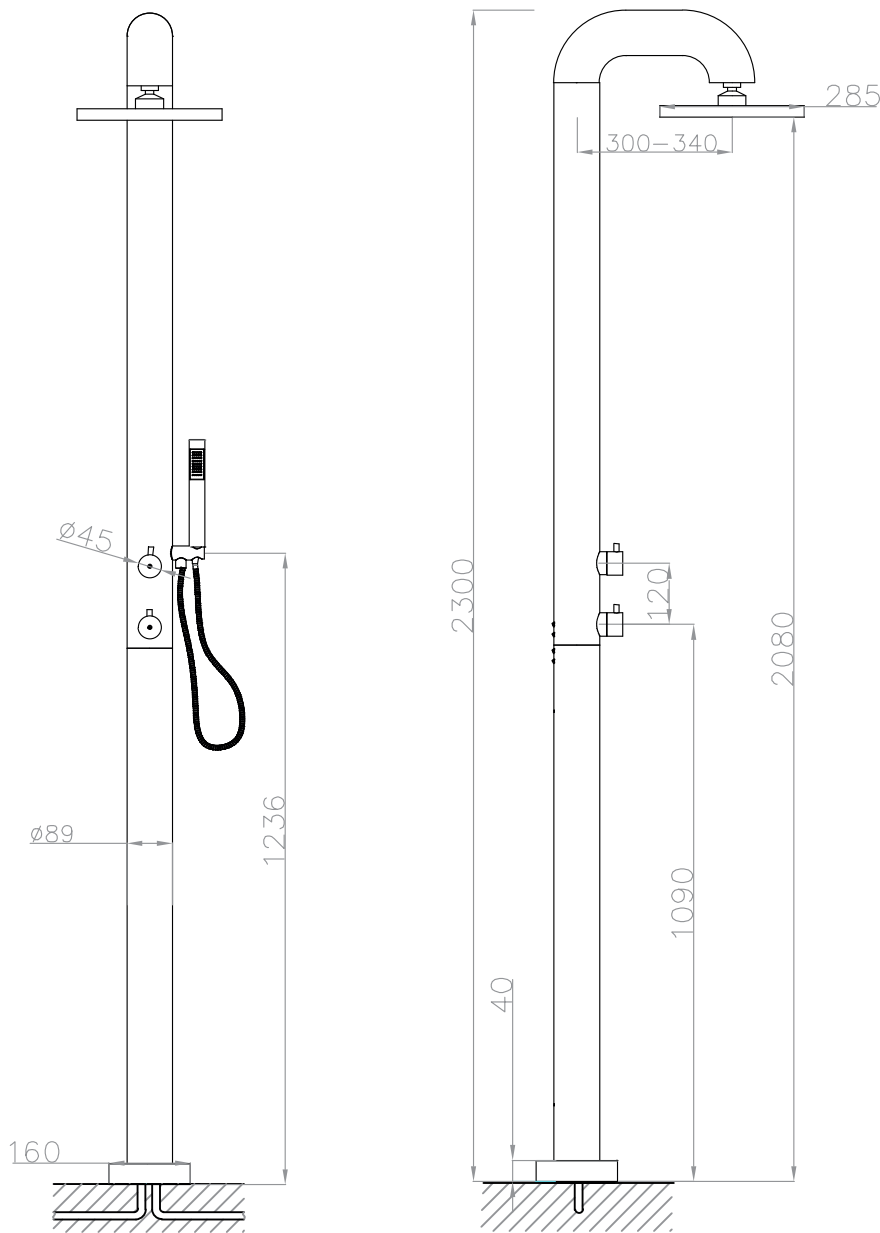




JEE-O fatline shower 02TH specifications



Article code:

200-6310

● brushed stainless steel

200-6311

● polished stainless steel

Material:

Stainless Steel r304

Cartridges:

Sedal mixing mechanism (thermostatic)
item code **005-0103** and JEE-O ceramic
diverter mechanism, itme code **005-0401**

Cleaning:

JEE-O protect

Flow at water of 38°C / 100,4°F:

10L gal p/m at 3bar pressure

Flexhose:

150 cm length

Connection:

2 x G 1/2" ($\varnothing 15\text{mm} / 0.6''$)
nylon^(out)/epdm⁽ⁱⁿ⁾ flexhose
with brass swivel
British Standard Pipe (BSP)

Thread:

Dimension package:

L 158 x W 18 W 54 x H 21 cm

Total weight:

18 kg

Package weight:

2.0 kg

Placing on a water-tight floor

2 year warranty

HS code:

84818011900

Approvals:

