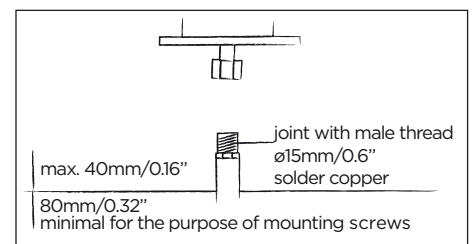
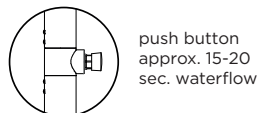
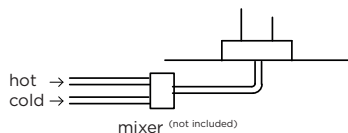
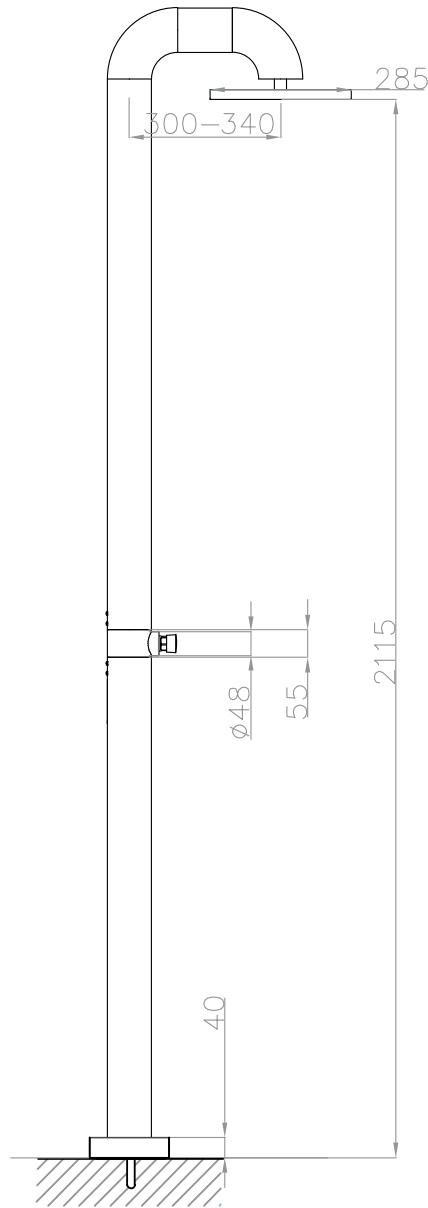
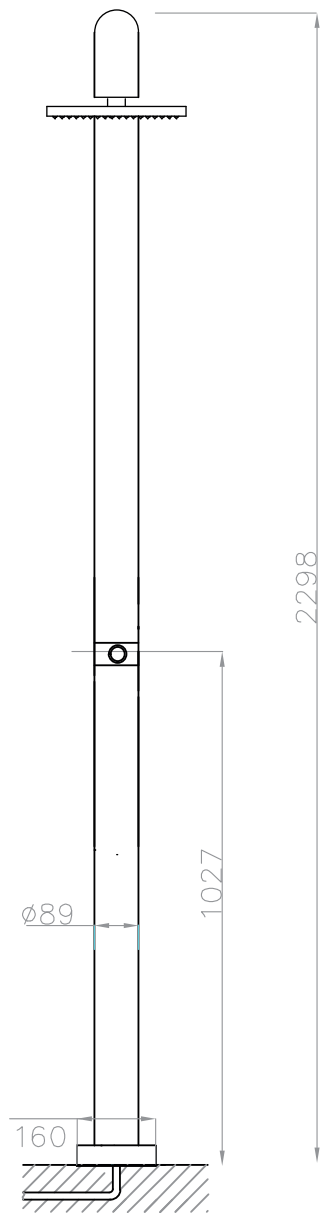




JEE-O fatline shower push specifications



Article code:

200-6500

● brushed stainless steel

200-6501

● polished stainless steel

Material:

Stainless Steel r304

Cartridge:

JEE-O ceramic stop valve with on/off spindle,
item code **005-0301**

Cleaning:

JEE-O protect

Flow at water of 38°C / 100,4°F: 12l / 3,2gal p/m at 3bar pressure

Flow duration: 15-20 seconds

Note: Use of the JEE-O wall bracket (**201-6000** / **201-6001**) is recommended with this model.

Connection:

G 1/2" (ø15mm / 0.6")
nylon^(out)/epdm⁽ⁱⁿ⁾ flexhose
with brass swivel
British Standard Pipe (BSP)

Thread:

Dimension package:
Total weight:
Package weight:

L 158 x W 18 W 54 x H 21 cm
14.5 kg
2.0 kg

Placing on a water-tight floor

2 year warranty

HS code: 84818011900
Approvals:

SLS BS EN 817, SS 375,
AS/NZS 4020, BS EN

