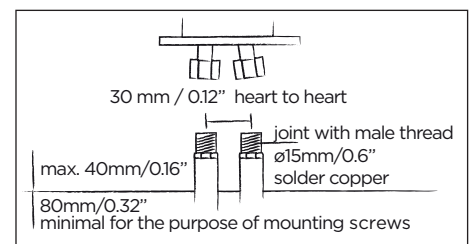
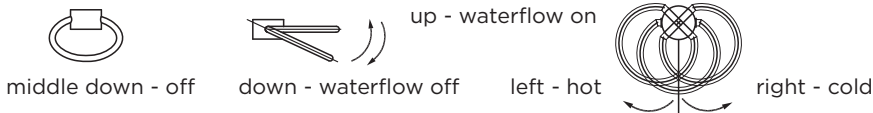
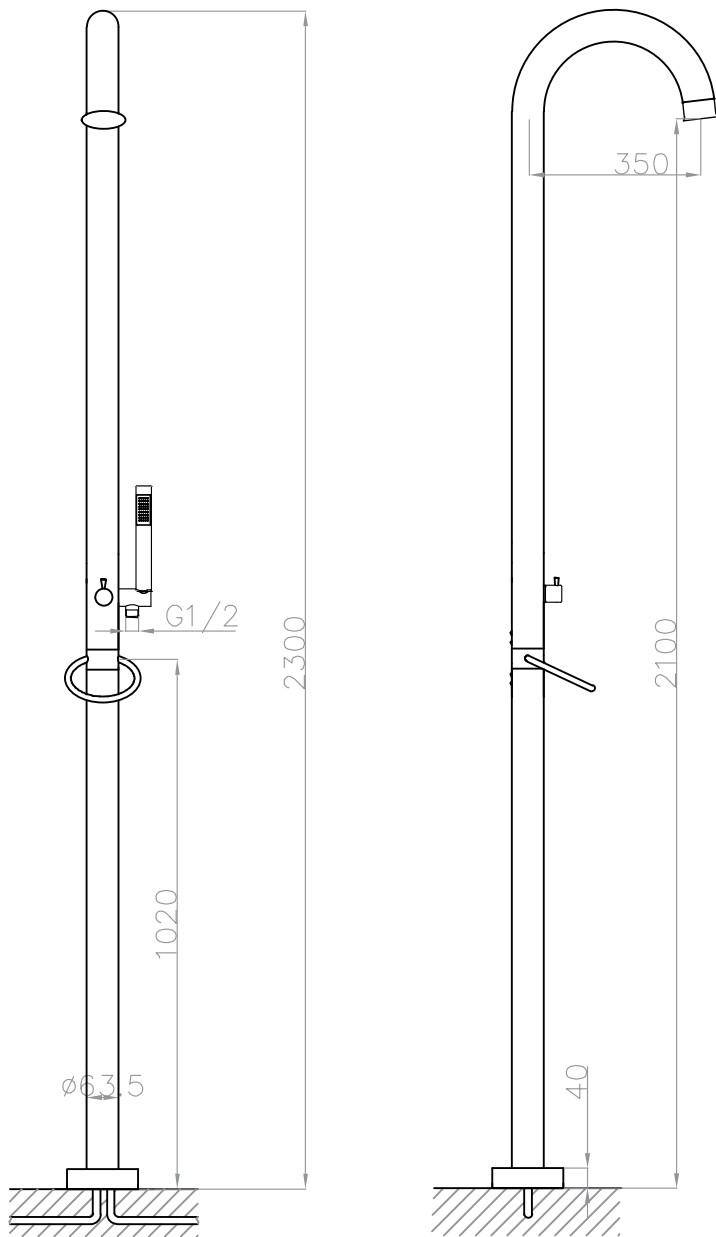




# JEE-O original shower 02 specifications



Article code:

- 100-6210**  
● brushed stainless steel
- 100-6211**  
● polished stainless steel

Material:  
Cartridges:

Stainless Steel r304  
Sedal ceramic mixing mechanism (35mm),  
item code **005-0101** and JEE-O ceramic  
diverter mechanism, item code **005-0302**

Cleaning:  
Flow at water of 38°C / 100,4°F:  
Flexhose:

JEE-O protect  
12l p/m at 3bar pressure  
150 cm length

Connection:

2 x G 1/2" (ø15mm / 0.6")  
nylon<sup>(out)</sup>/epdm<sup>(in)</sup> flexhose  
with brass swivel

Thread:

British Standard Pipe (BSP)

Dimension package:

L 158 x W 18 W 54 x H 21 cm

Total weight:

13.2 kg

Package weight:

2.0 kg

Placing on a water-tight floor

2 year warranty

HS code:

84818011900

Approvals:

SLS BS EN 817, SS 375,  
AS/NZS 4020, BS EN

