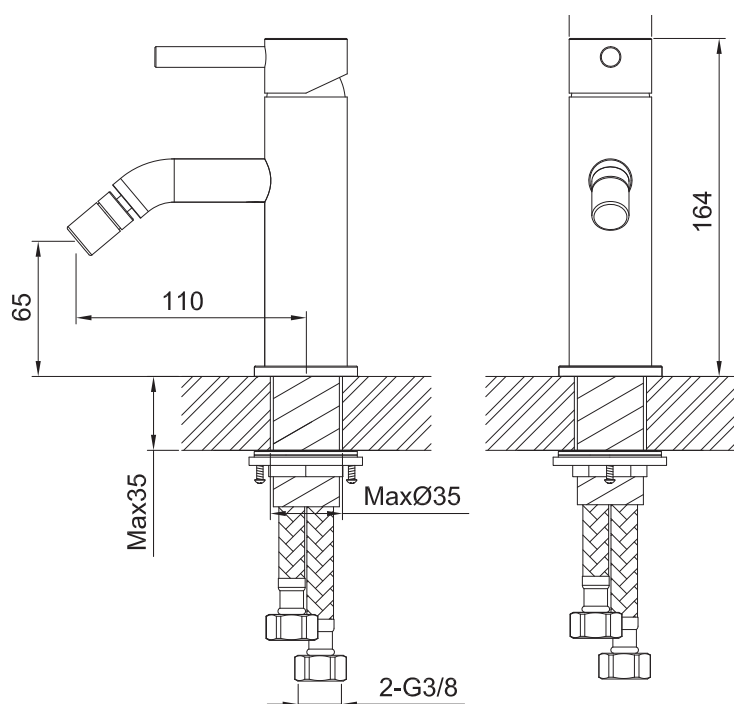




JEE-O slimline bidet specifications



Note:
UV radiation and extreme temperature can affect the color and structure of the surface of the structured black version

Article code:

800-4100

● brushed stainless steel

800-4103

● structured black stainless steel

800-4104

● bronze stainless steel

Material:

Stainless Steel r304

Cartridge:

Sedal ceramic mixing mechanism (35mm),

item code **005-0101**

Cleaning:

JEE-O protect

Flow at water of 38°C /100,4°F: 10l /p/m at 3bar presure

Connection:

2 x G 3/8" (ø10mm / 0.4")
nylon^(out)/epdm⁽ⁱⁿ⁾ flexhose
with brass swivel
British Standard Pipe (BSP)

Thread:

Dimension package:

L 38 x W 23 x H 8,5 cm

Total weight:

1,42 kg

Package weight:

0,30 kg

2 year warranty

HS code:

84818011900