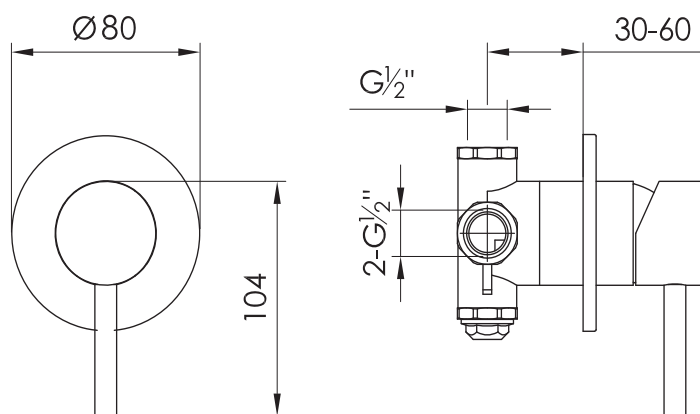




# JEE-O slimline mixer O1 small specifications



Note:  
UV radiation and extreme temperature  
can affect the color and structure of the  
surface of the **structured BLACK** version.

Article code:	<b>800-2400</b> ● brushed stainless steel	Connection: Thread:	3 x G 1/2" (ø15mm / 0.6") British Standard Pipe (BSP)
	<b>800-2403</b> ● structured black stainless steel	Dimension package:	L 23 x W 15 x H 16 cm
	<b>800-2404</b> ● bronze stainless steel	Total weight:	1.26 kg
Material:	Stainless Steel r304	Package weight:	0,27 kg
Cartridge:	Sedal ceramic mixing mechanism (40mm), item code <b>005-0102</b>	2 year warranty	
Cleaning:	JEE-O protect	HS code:	84818011900
Flow at water of 38°C /100,4°F:	11l /2,9gal p/m at 3bar pressure	Approvals:	SLS BS EN 817