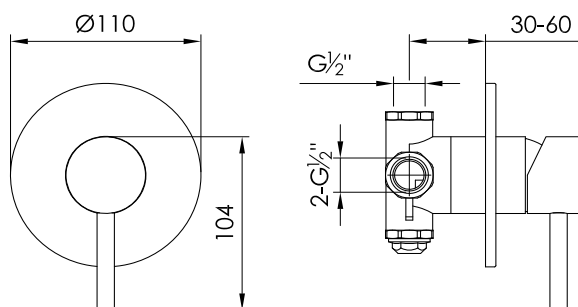




JEE-O slimline mixer 01 specifications



Note:
UV radiation and extreme temperature
can affect the color and structure of the
surface of the structured black version

Article code:	800-2100 ● brushed stainless steel	Connection:	3 x G 1/2" (ø15mm / 0.6")
	800-2103 ● structured black stainless steel	Thread:	British Standard Pipe (BSP)
Material:	Stainless Steel r304	Dimension package:	L 23 x W 15 x H 16 cm
Cartridge:	Sedal ceramic mixing mechanism (40mm), item code 005-0102	Total weight:	1.26 kg
Cleaning:	JEE-O protect	Package weight:	0,27 kg
Flow at water of 38°C / 100,4°F:	1l / 2.9gal p/m at 3bar pressure	2 year warranty	
		HS code:	84818011900
		Approvals:	SLS BS EN 817