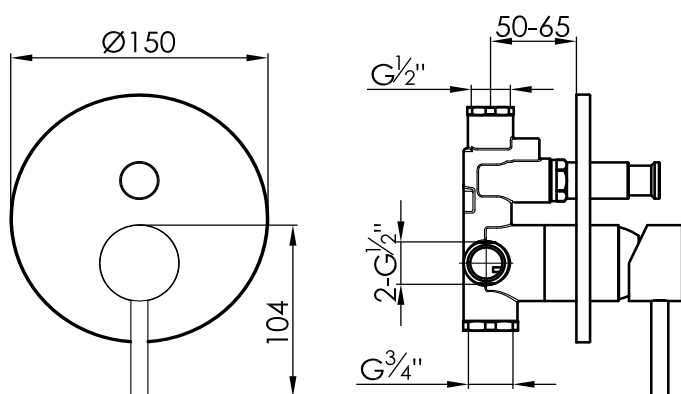




JEE-O slimline mixer O2 specifications



Note:
UV radiation and extreme temperature
can affect the color and structure of the
surface of the structured black version

Article code:

800-2200

● brushed stainless steel

800-2203

● structured black stainless steel

Material:

Stainless Steel r304

Cartridge:

Sedal ceramic mixing mechanism (40mm),
item code **005-0102**

Cleaning:

JEE-O protect

Flow at water of 38°C / 100,4°F:

11l / 2.9gal p/m at 3bar pressure

Connection:

1 x G 3/4" (ø19mm / 0.75")
3 x G 1/2" (ø15mm / 0.6")
British Standard Pipe (BSP)

Thread:

Dimension package:

L 22 x W 18 x H 19 cm

Total weight:

1.82 kg

Package weight:

0.42 kg

2 year warranty

HS code:

84818011900

Approvals:

SLS BS EN 817