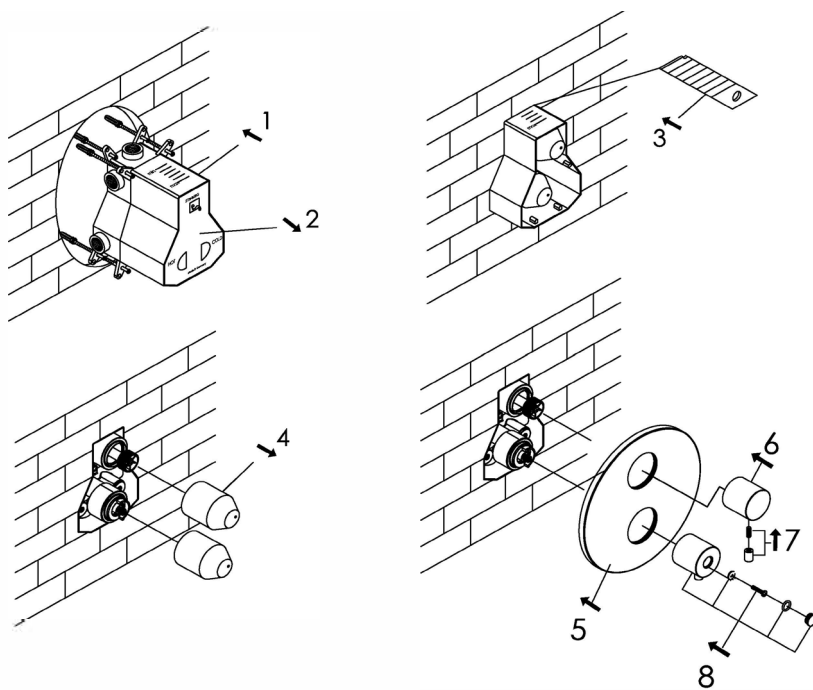
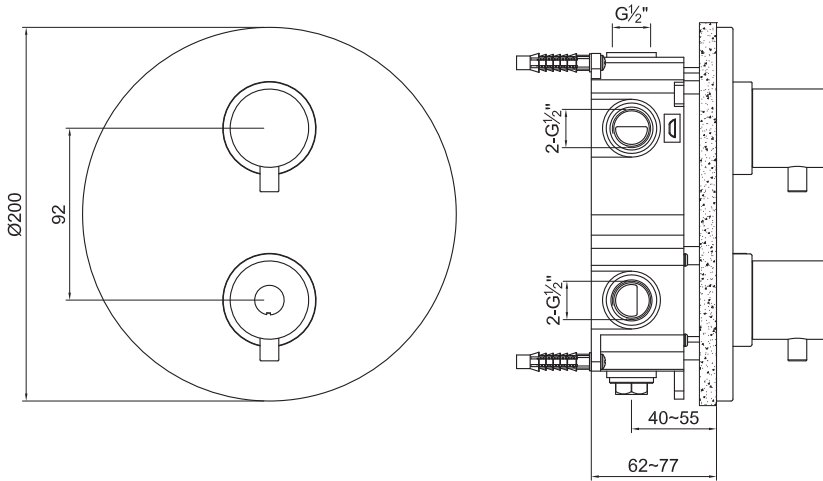
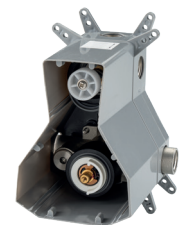




JEE-O slimline mixer TH specifications



Note:
UV radiation and extreme temperature
can affect the color and structure of the
surface of the structured black version



Article code:

800-2300

● brushed stainless steel

800-2303

● structured black stainless steel

Material:

Stainless Steel r304

Cartridges:

Vernet mixing mechanism (thermostatic),
item code **005-0501** and Fluhs ceramic
diverter mechanism, item code **005-0601**

Cleaning:

JEE-O protect

Flow at water of 38°C / 100,4°F:

12l p/m at 3bar pressure

Connection:

2 x G 1/2" (ø15mm / 0.6") in
3 x G 1/2" (ø15mm / 0.6") out
British Standard Pipe (BSP)

Thread:

Dimension package:

L 21 x W 20 x H 16,5 cm

Total weight:

3.3 kg

Package weight:

0.3 kg

2 year warranty

HS code:

84818011900

