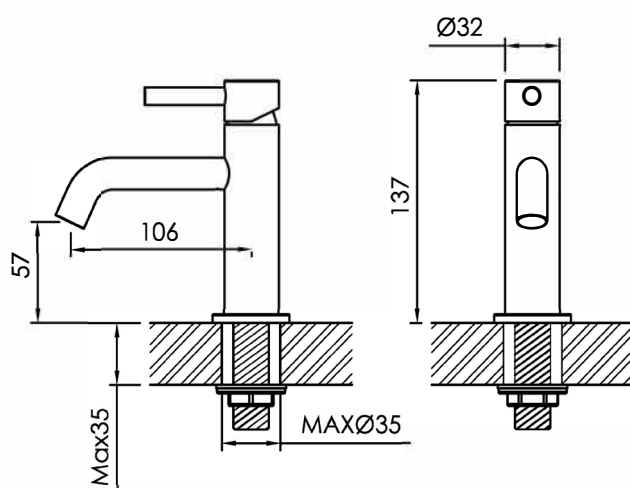




JEE-O slimline pillar tap specifications



Note:
UV radiation and extreme temperature
can affect the color and structure of the
surface of the structured black version

Article code:

800-1710

● brushed stainless steel

800-1713

● structured black stainless steel

800-1714

● bronze stainless steel

Material:

Stainless Steel r304

Cartridges:

JEE-O ceramic valve, item code **005-0403**

Cleaning:

JEE-O protect

Flow at cold water:

7l /1.9gal p/m at 3bar pressure

Connection:

G 1/2" (0.6")
nylon^(out)/epdm⁽ⁱⁿ⁾ flexhose
with brass swivel 3/8" (0.375")
British Standard Pipe (BSP)

Thread:

Dimension package:

L 31 x W 22.5 x H 8 cm

Total weight:

1.15 kg

Package weight:

0,25 kg

2 year warranty

HS code:

84818011900