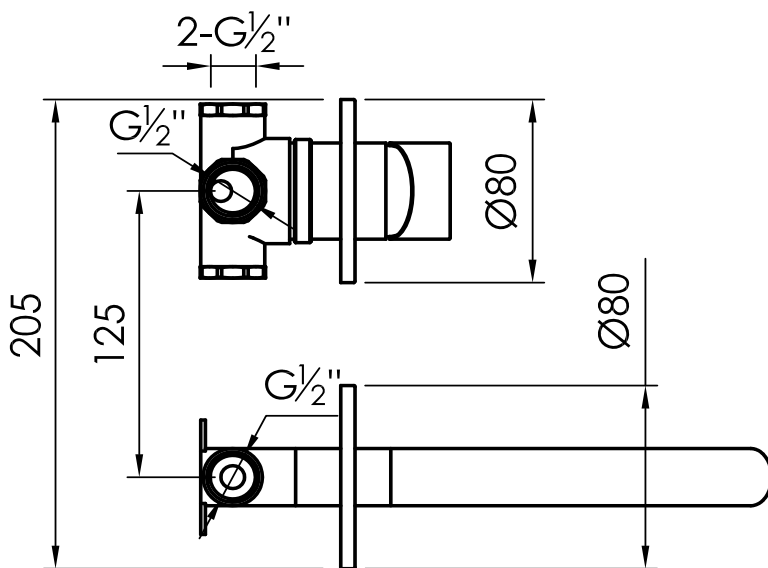
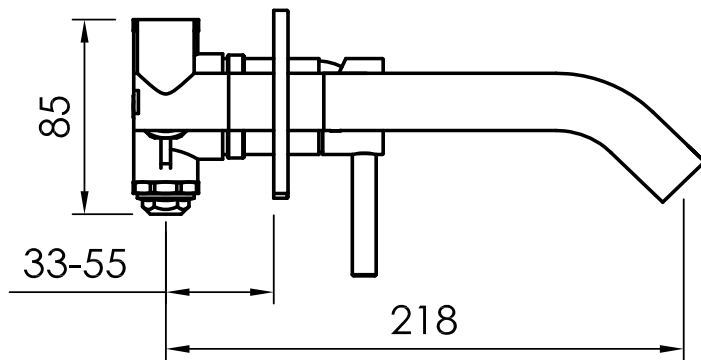




# JEE-O slimline wall basin mixer specifications



Note:  
UV radiation and extreme temperature can affect the color and structure of the surface of the structured black version.

Article code:

**800-1500**

● brushed stainless steel

**800-1503**

● structured black stainless steel

**800-1504**

● bronze stainless steel

Material:

Stainless Steel r304

Cartridge:

Sedal ceramic mixing mechanism (35mm),  
item code **005-0101**  
JEE-O protect

Cleaning:

Flow at water of 38°C/100,4°F:

10l / 2.7gal p/m at 3bar pressure

Connection:

Thread:

2 x G 1/2" (ø15mm / 0.6")  
British Standard Pipe (BSP)

Dimension package:

Total weight:  
Package weight:

L 26 x W 27 x H 17cm  
2.2 kg  
0.82 kg

2 year warranty

HS code:

84818011900

Approvals:

SLS BS EN 817