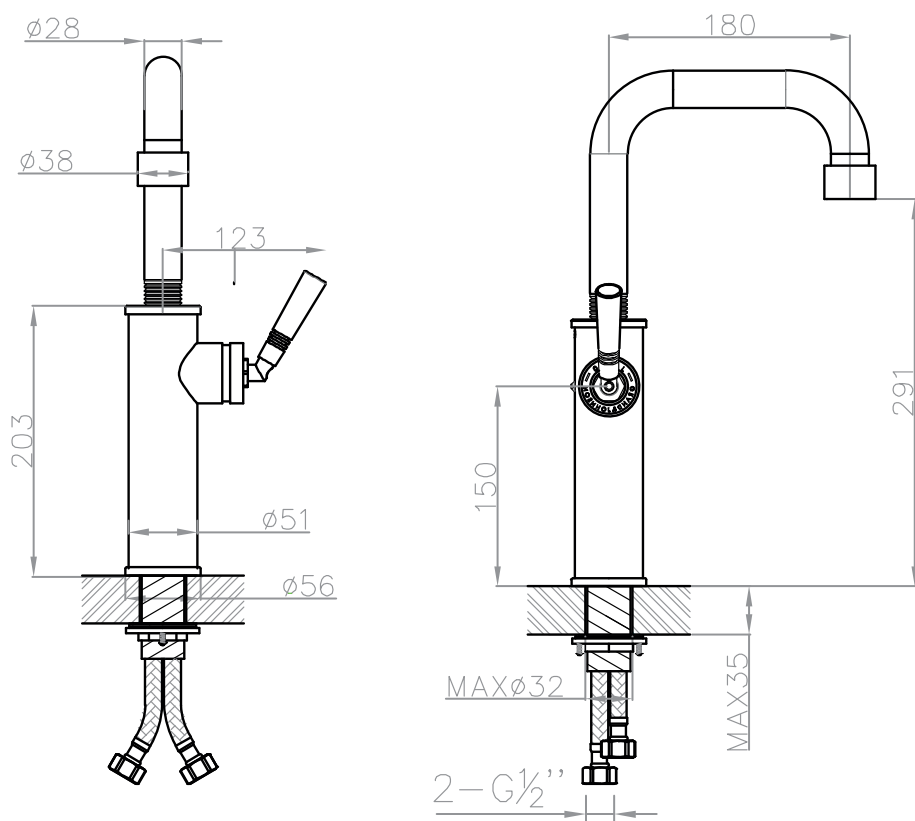
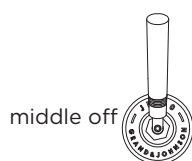




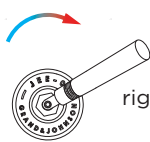
JEE-O soho basin/kitchen mixer specifications



Note:
UV radiation and extreme temperature can affect the color and structure of the JEE-O soho basin surface.



middle off



right water spout

| | | | |
|----------------------------------|--|--------------------|---|
| Article code: | 700-1750 ● Brushed stainless steel - RAW | Connection: | 2 x G 1/2" (ø15mm / 0.6") nylon ^(out) /epdm ⁽ⁱⁿ⁾ flexhose with brass swivel |
| | 700-1752 ● Hammercoated black matt | Thread: | British Standard Pipe (BSP) |
| Material: | Stainless Steel r304 | Dimension package: | L 56 x W 35 x H 17 cm |
| Coating: | 1.5 Electro powder spray | Total weight: | 3.2 kg |
| Cartridge: | Sedal ceramic mixing mechanism (progressive), item code 005-0105 | Package weight: | 0.9 kg |
| Cleaning: | cleaning vinegar or alcohol | 2 year warranty | |
| Flow at water of 38°C / 100,4°F: | 8l / 2,1gal p/m at 3bar pressure | HS code: | 84818011 |
| | | Approvals: | SLS BS EN 817, SS 375, AS/NZS 4020, BS EN |

