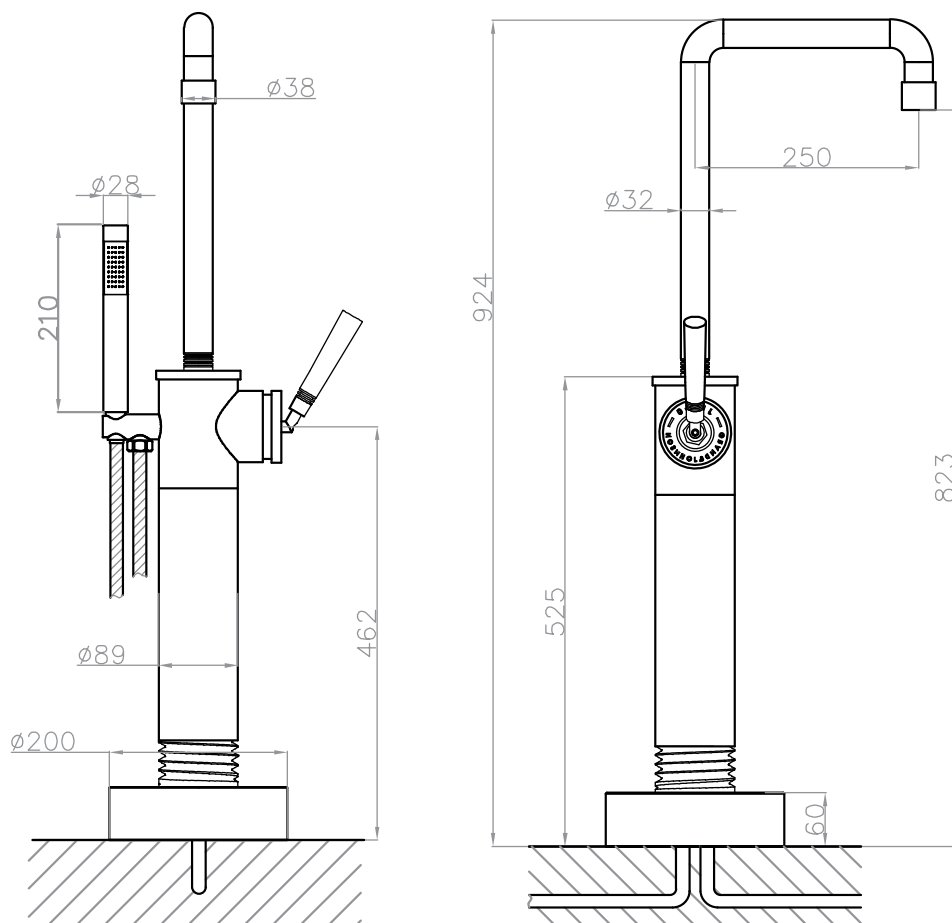
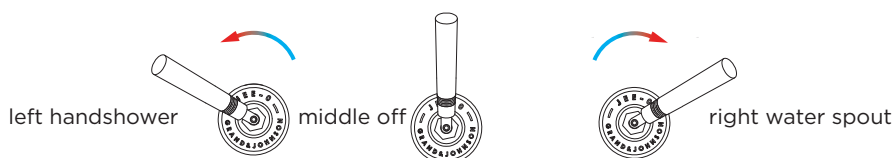
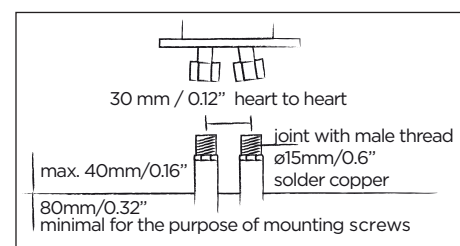




JEE-O soho bath mixer specifications



Note:
UV radiation and extreme temperature can affect the color and structure of the JEE-O soho bath surface.



Article code:

700-3110

● Brushed stainless steel - RAW

700-3112

● Hammercoated black matt

Material:
Coating:

Stainless Steel r304
1.5 Electro powder spray

Cartridge:

Kerox ceramic mixing mechanism (progressive),
item code **005-0203**, 2 year warranty

Cleaning:

cleaning vinegar or alcohol

Flexhose:

150 cm length, black

Flow at water of 38°C / 100,4°F:

11l / 2,9gal p/m at 3bar pressure

Connection:

2 x G 1/2" (ø15mm / 0.6")
nylon^(out)/epdm⁽ⁱⁿ⁾ flexhose
with brass swivel
British Standard Pipe (BSP)

Thread:

Dimension package: L 103 x W 59 x H 22 cm
Total weight: 11.2 kg
Package weight: 2.6 kg

Placing on a water-tight floor

HS code:

84818011

Approvals:

SLS BS EN 817

