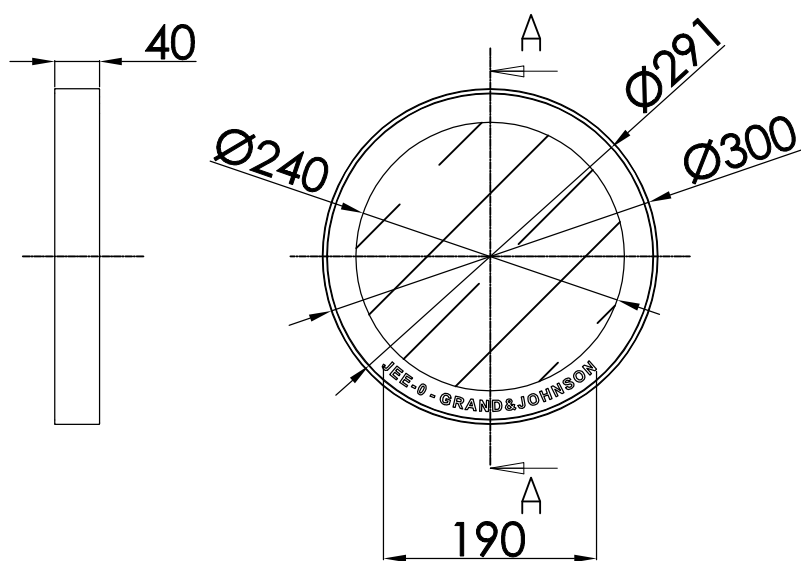




# JEE-O soho mirror 30 specifications



Note:  
UV radiation and extreme temperature  
can affect the color and structure of the  
JEE-O soho wall surface.

Article code:

**701-0110**

● Brushed stainless steel - **RAW**

**701-0112**

● Hammercoated black matt

Dimension package:

L33,5 x B33,5 x H7,5 cm

Total weight:

1,86 kg

Package weight:

0.21 kg

2 year warranty

Material:

Stainless Steel r304

Coating:

1.5 Electro powder spray

Cleaning:

soapwater or alcohol

HS code:

70099200