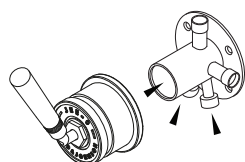
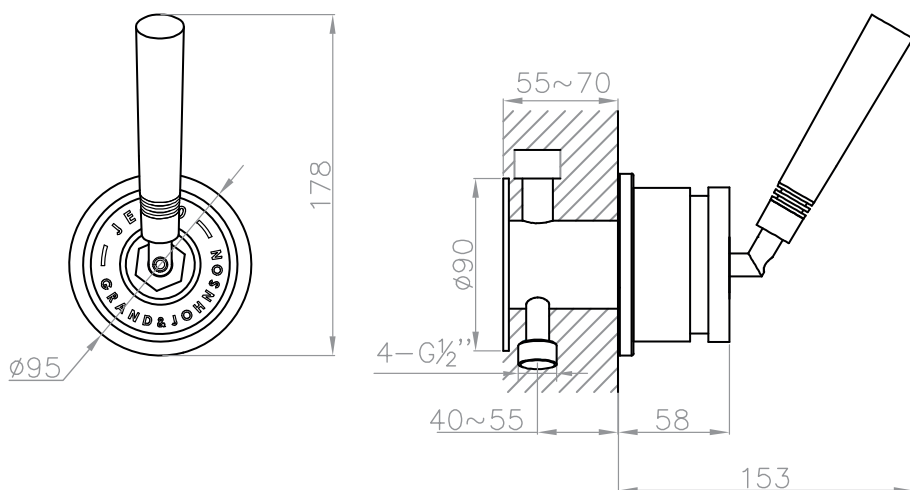




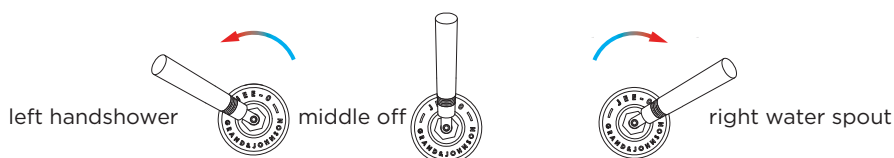
JEE-O soho mixer specifications two way valve version



inlet hot inlet cold



Note:
UV radiation and extreme temperature can affect the color and structure of the JEE-O soho surface.



Article code:

700-2200

● Brushed stainless steel - **RAW**

700-2202

● Hammercoated black matt

Connection:
Thread:

4 x G 1/2" (ø15mm / 0.6")
British Standard Pipe (BSP)

Dimension package:
Total weight:
Package weight:

L 28 x W 20 x H 14 cm
2.8 kg
0.3 kg

2 year warranty

Material:
Coating:

Stainless Steel r304
1.5 Electro powder spray

Cartridge:

Kerox ceramic mixing mechanism (progressive),
item code **005-0203**

Cleaning:

cleaning vinegar or alcohol

Flow at water of 38°C / 100,4°F:

10l p/m at 3bar pressure

HS code:

84818011

Approvals:

SLS BS EN 817