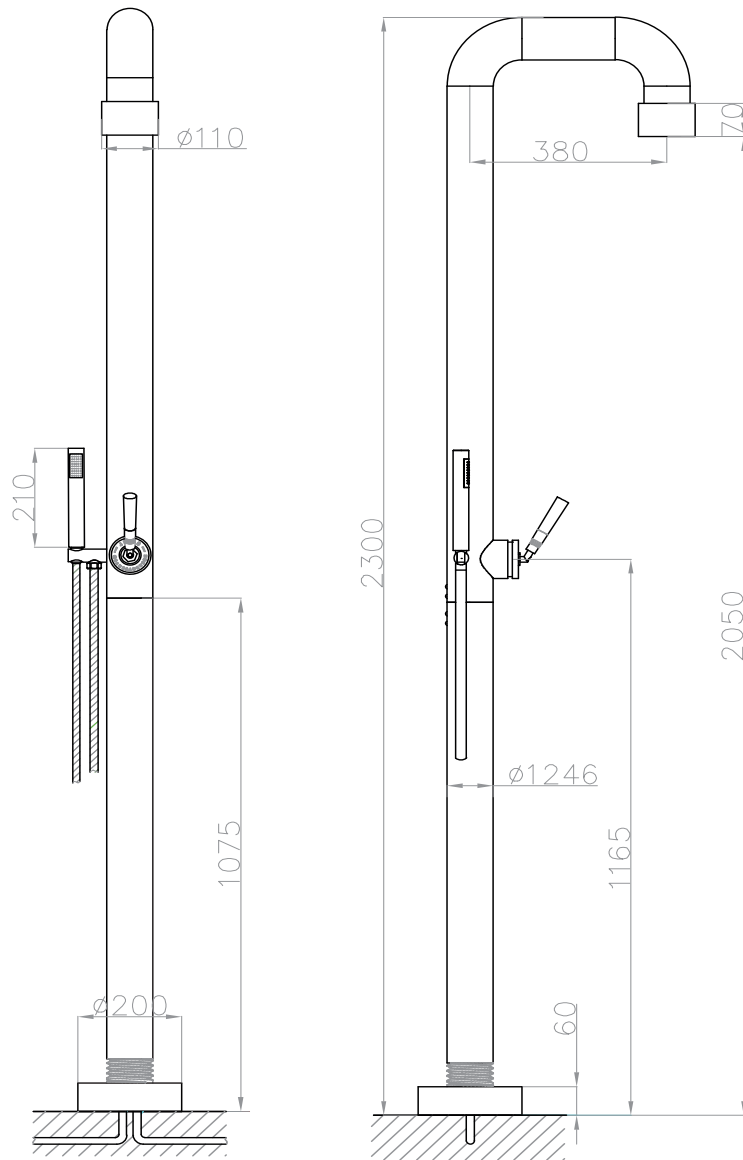
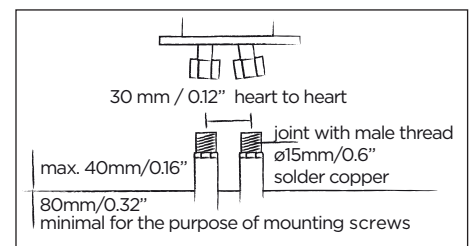
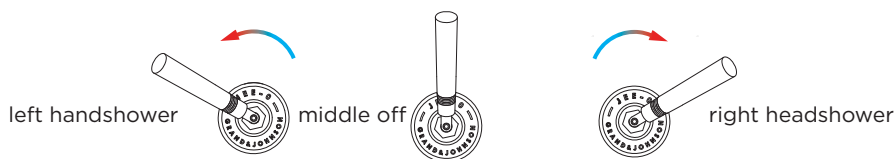




JEE-O soho shower O2 specifications



Note:
UV radiation and extreme temperature can affect the color and structure of the JEE-O soho shower O2 surface.



Article code:	700-6210 ● Brushed stainless steel - RAW	Connection:	2 x G 1/2" (ø15mm / 0.6") nylon ^(out) /epdm ⁽ⁱⁿ⁾ flexhose with brass swivel
	700-6212 ● Hammercoated black matt	Thread:	British Standard Pipe (BSP)
Material:	Stainless Steel r304	Dimension package:	L 150 x W 58 x H 20 cm
Coating:	hammercoat black (1.5) Electro powder spray	Total weight:	19.4 kg
Cartridge:	Kerox ceramic mixing mechanism (progressive), item code 005-0203	Package weight:	3.6 kg
Cleaning:	cleaning vinegar or alcohol	Placing on a water-tight floor	2 year warranty
Flexhose:	150 cm length	HS code:	84818011
Flow at water of 38°C / 100,4°F:	10l / 2,6gal p/m at 3bar pressure	Approvals:	SLS BS EN 817, SS 375, AS/NZS 4020, BS EN

