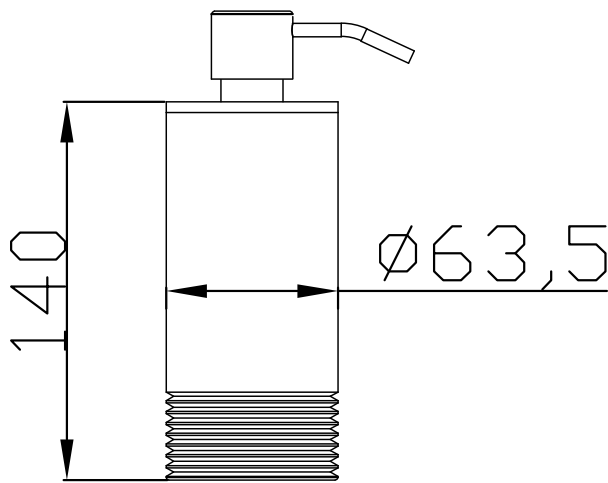




JEE-O soho soap dispenser specifications



Note:
UV radiation and extreme temperature
can affect the color and structure of the
JEE-O soho wall surface.

Article code:

701-0050

● Brushed stainless steel - **RAW**

701-0052

● Hammercoated black matt

Dimension package:

L 7.5 x W 8.5 x H 7.5 cm

Total weight:

0.434 kg

Package weight:

0.045 kg

2 year warranty

Material:

Stainless Steel r304

Coating:

1.5 Electro powder spray

Cleaning:

soapwater or alcohol

HS code:

73249000