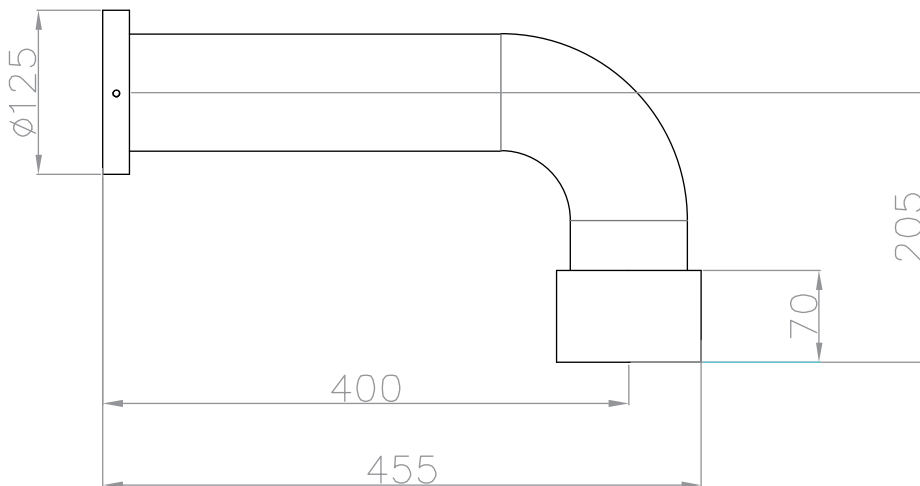
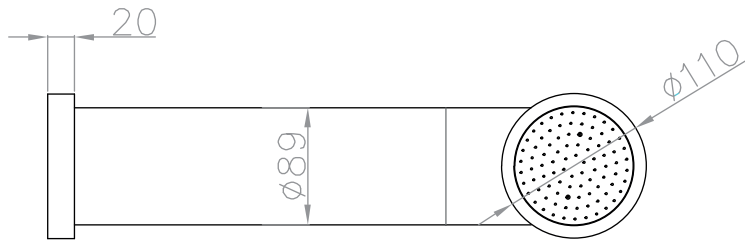




JEE-O soho wall shower specifications



Note:
UV radiation and extreme temperature
can affect the color and structure of the
JEE-O soho wall surface.

Article code:

700-6900

● Brushed stainless steel - **RAW**

700-6902

● Hammercoated black matt

Material:
Coating:

Stainless Steel r304
1.5 Electro powder spray

Cleaning:

cleaning vinigar or alcohol

Flow at water of 38°C /100,4°F: 12l /3.2gal p/m at 3bar pressure

Connection:

G 1/2" (ø15mm / 0,6")
nylon^(out)/epdm⁽ⁱⁿ⁾ flexhose
with brass swivel
British Standard Pipe (BSP)

Thread:

Dimension package:
Total weight:
Package weight:

L 52 x W 34 x H 19 cm
3.8 kg
0.4 kg

2 year warranty

HS code:
Approvals:

84818011

