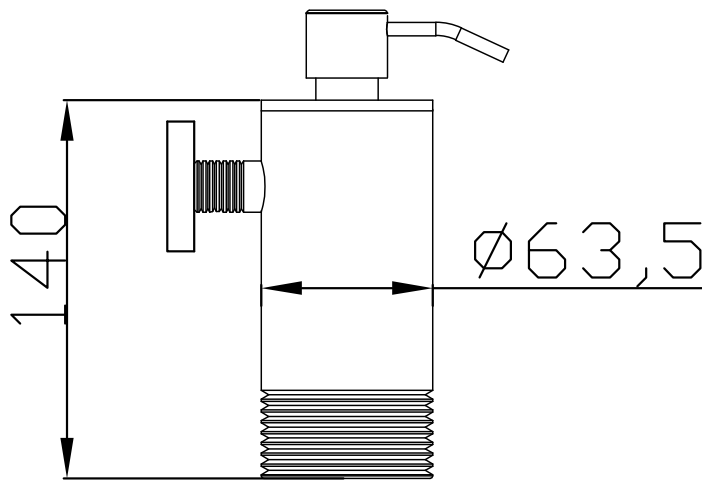




JEE-O soho wall soap dispenser specifications



Note:
UV radiation and extreme temperature
can affect the color and structure of the
JEE-O soho wall surface.

Article code:

701-0040

● Brushed stainless steel - **RAW**

701-0042

● Hammercoated black matt

Dimension package:

L 19,5 x W 13,5 x H 8 cm

Total weight:

0.774 kg

Package weight:

0.088 kg

2 year warranty

Material:

Stainless Steel r304

Coating:

1.5 Electro powder spray

Cleaning:

cleaning vinigar or alcohol

HS code:

73249000