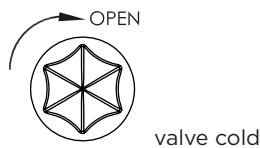
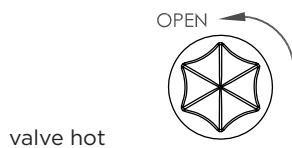
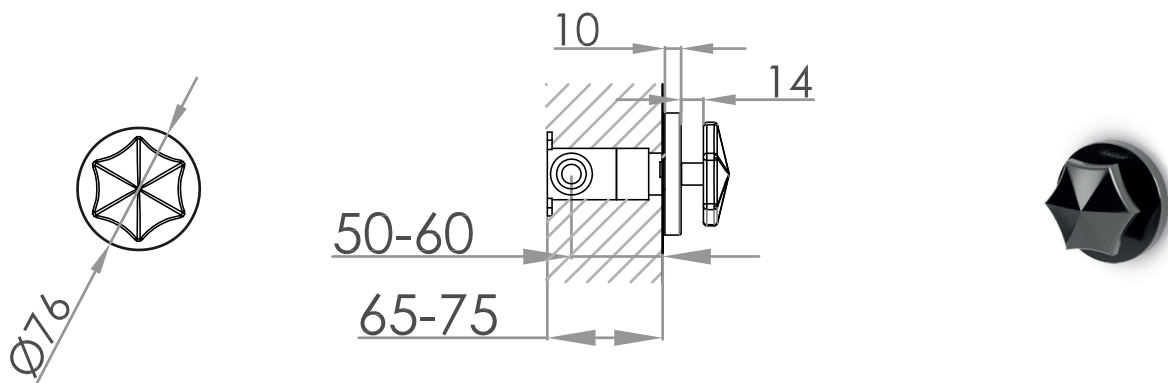




JEE-O bloom valve specifications



Article code:	600-2106 - cold ● PVD coating gun metal	Connection:	2 x G 1/2" (ø15mm / 0.6")
Article code:	600-2116 - hot ● PVD coating gun metal	Thread:	British Standard Pipe (BSP)
Material:	Stainless Steel r304	Dimension package:	Available soon
Coating:	Physical Vapor Deposition	Total weight:	Available soon
Cartridges:	Available soon	Package weight:	Available soon
Cleaning:	Cleaning vinegar or alcohol	Placing on a water-tight floor	
Flow at water of 38°C / 100,4°F:	Available soon	2 year warranty	