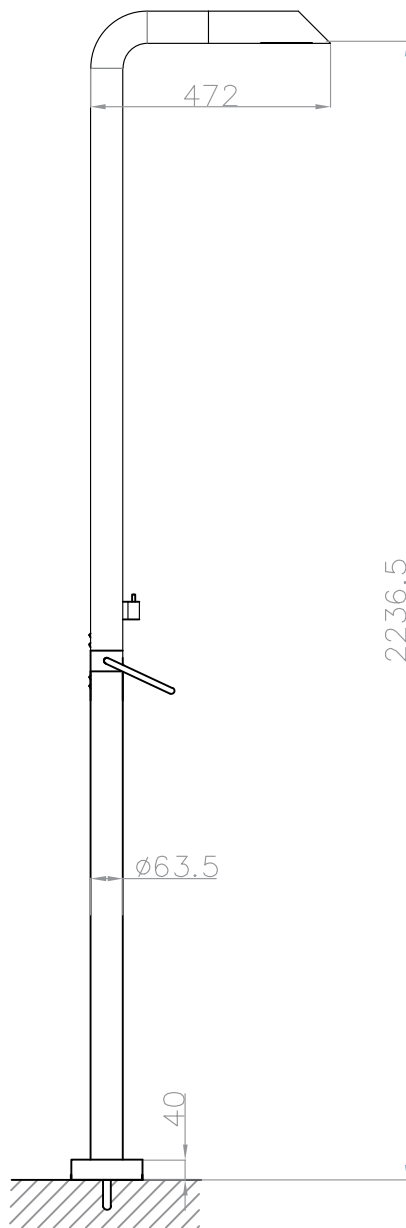
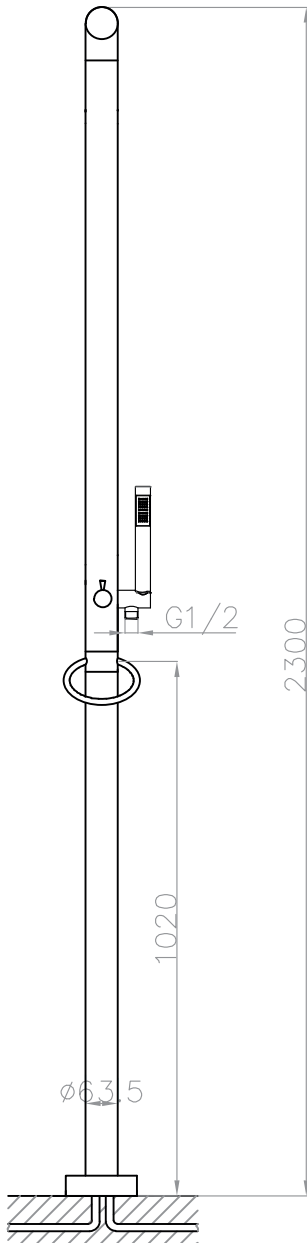




JEE-O pure shower 02 specifications

by Lammerit Moerman

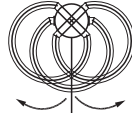


middle down - off



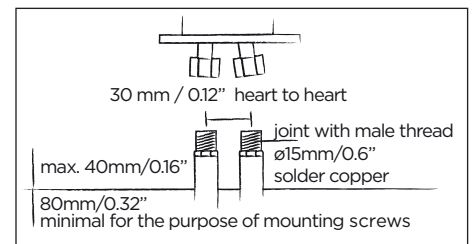
down - waterflow off

up - waterflow on



left - hot

right - cold



Article code:

300-6210

● brushed stainless steel

300-6211

● polished stainless steel

Material:

Stainless Steel r304

Cartridges:

Sedal ceramic mixing mechanism (35mm), item code **005-0101** and JEE-O ceramic diverter mechanism, item code **005-0302**

Cleaning:

JEE-O protect

Flow at water of 38°C / 100,4°F:

11L p/m at 3bar pressure

Flexhose:

150 cm length

Connection:

2 x G 1/2" (ø15mm / 0.6") nylon^(out)/epdm⁽ⁱⁿ⁾ flexhose with brass swivel British Standard Pipe (BSP)

Thread:

Dimension package:

L 158 x W 18 W 54 x H 21 cm

Total weight:

13.1 kg

Package weight:

2.8 kg

Placing on a water-tight floor

2 year warranty

HS code: 8481801900

Approvals

